



* Remote condenser shown with optional guard

Features

- Lightweight construction and an aluminum coil help reduce weight by nearly 20% compared to previous models.
- Condenser fits through a standard 30" x 36" roof hatch for ease of installation.
- Easy assembly and installation with innovative legs.
- More efficient motor reduces energy usage by 25% - 50%.
- Environmentally responsible – all remote condensers use R404A, an approved non-ozone depleting refrigerant.
- Constructed from sturdy, corrosion-resistant galvanized steel.
- Reduces air conditioning requirements and cost.
- Fan is located outside, ensuring quiet operation for customers.

Required Accessories

| Model Number | Description | Shipping Weight lbs (kg) |
|--------------|--|-----------------------------|
| RT-325-404 | 25 ft (7.6 m) Precharged Tubing Kit for R404A Models | 13 (6) |
| RT-340-404 | 40 ft (12.0 m) Precharged Tubing Kit for R404A Models | 18 (8) |
| RT-375-404 | 75 ft (22.9 m) Precharged Tubing Kit for R404A Models | 36 (16) |
| GRILL10 | Optional Grill Guard Kit for RCA-1001, RCA-1061, RGA0501-HM and RGA1061-HM | 8 (3.6) |
| GRILL20 | Optional Grill Guard Kit for RCA-2061 and RCA-3561 | 12 (5.4) |
| GRILL30 | Optional Grill Guard Kit for RCA-3061 | 10 (4.5) |

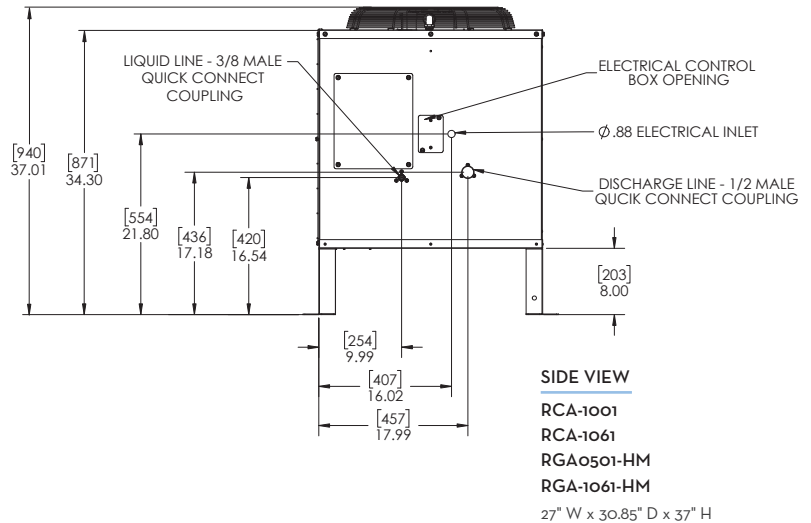
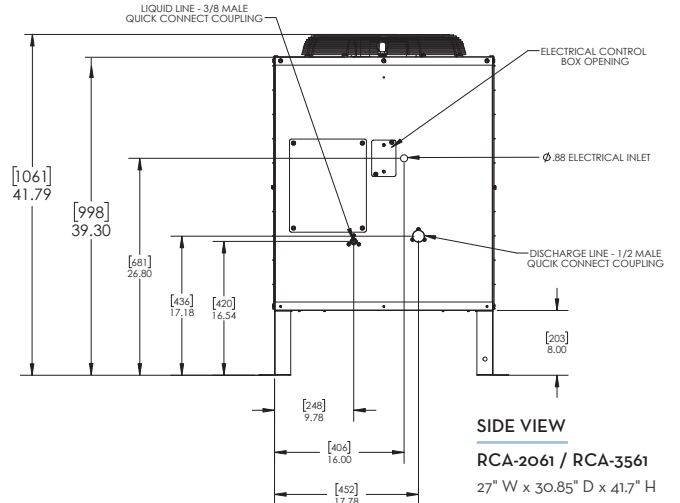
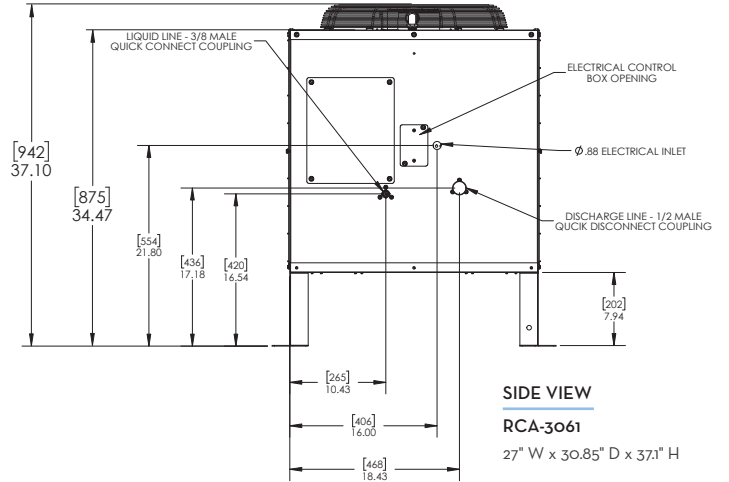
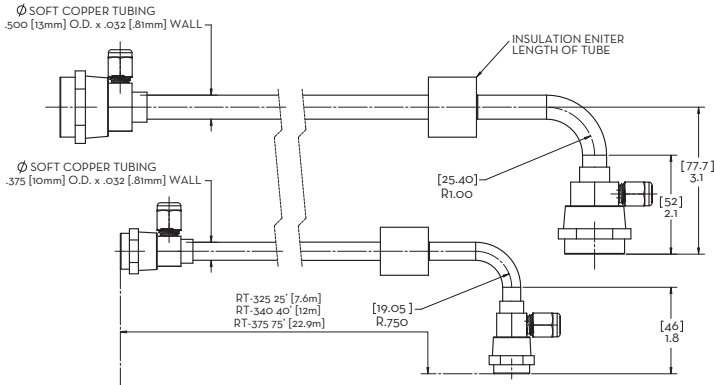
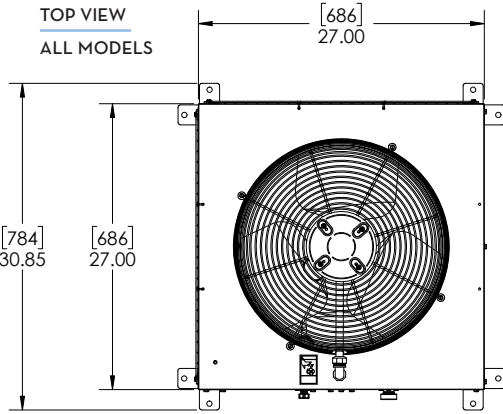
Specifications

| Model Number | Description | Voltage Characteristics | Fan Watts | Shipping Weight lbs (kg) | *Circuit Breaker |
|--------------|--|-------------------------|-----------|-----------------------------|------------------|
| RCA1001 | Remote Condenser for model CIMO53OR | 115/60/1 | 93.2 | 97 (44) | 15 amps |
| RCA1061 | Remote Condenser for model CIMO636R | | | | |
| RCA2061 | Remote Condenser for models CIMO825R, CIMO826R, CIMO835R, CIMO836R, CIM1125R, CIM1126R, CIM1135R, CIM1136R, CIM1137R, GEM2006R, MFI2306R | 208-230/50-60/1 | | 111 (50) | 15 amps |
| RCA3061 | Remote Condenser for models CIM1446R, CIM1545R, CIM1845R, ICE1506R | | | 119 (54) | |
| RCA3561 | Remote Condenser for models CIM2046R | | | 115 (52) | |
| RGA0501-HM | Remote Condenser for models GEMO65OR, MFIO80OR | 115/60/1 | | 97 (44) | 15 amps |
| RGA1061-HM | Remote Condenser for models GEMO956R, GEM1306R, MFI1506R, MFI1256R | 208-230/50-60/1 | | | |

* If on separate circuit from ice machine head.

Operating Requirements

| MINIMUM | | |
|------------------------|---------------|--------------|
| Remote Condenser Temp. | -20°F (-29°C) | 120°F (50°C) |



NOTES:
Number of Wires: 3 (including ground)
Refrigerant Type: R404A