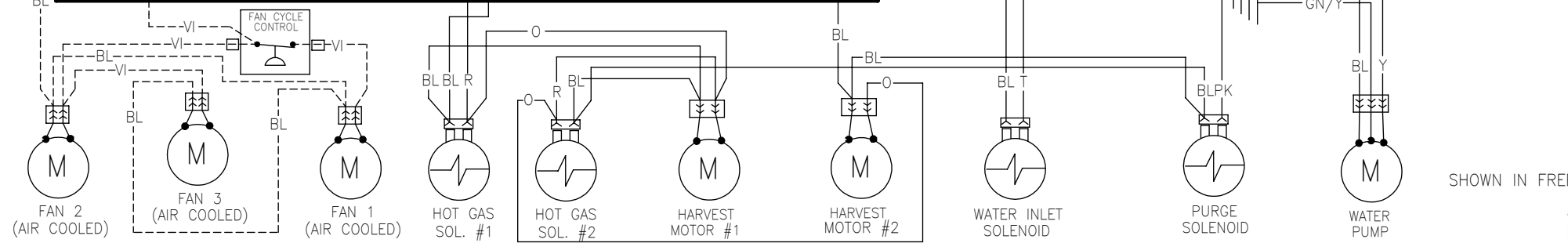
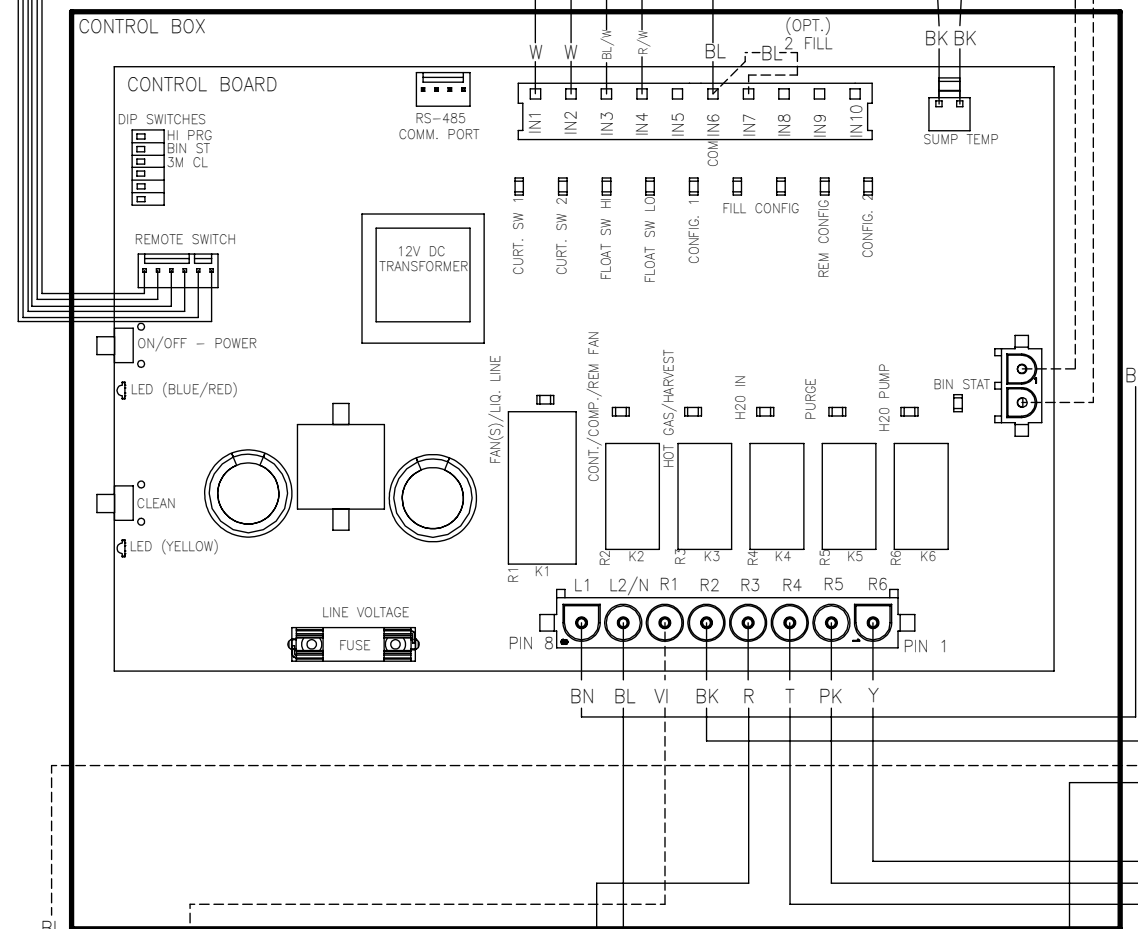
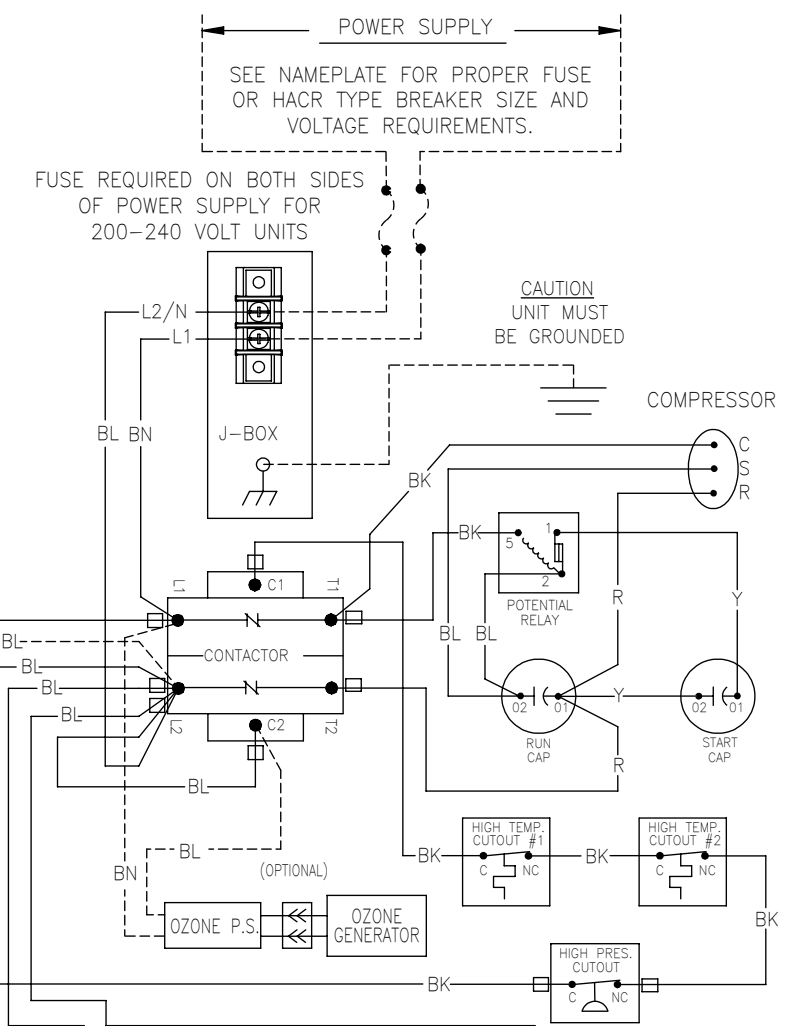


DISCONNECT POWER BEFORE SERVICING MACHINE OR ELECTRICALS

CAUTION

MORE THAN ONE DISCONNECT SWITCH MAY BE REQUIRED TO DE-ENERGIZE ALL POWER TO THE MACHINE



SHOWN IN FREEZE MODE