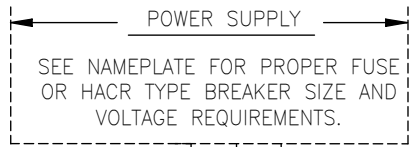
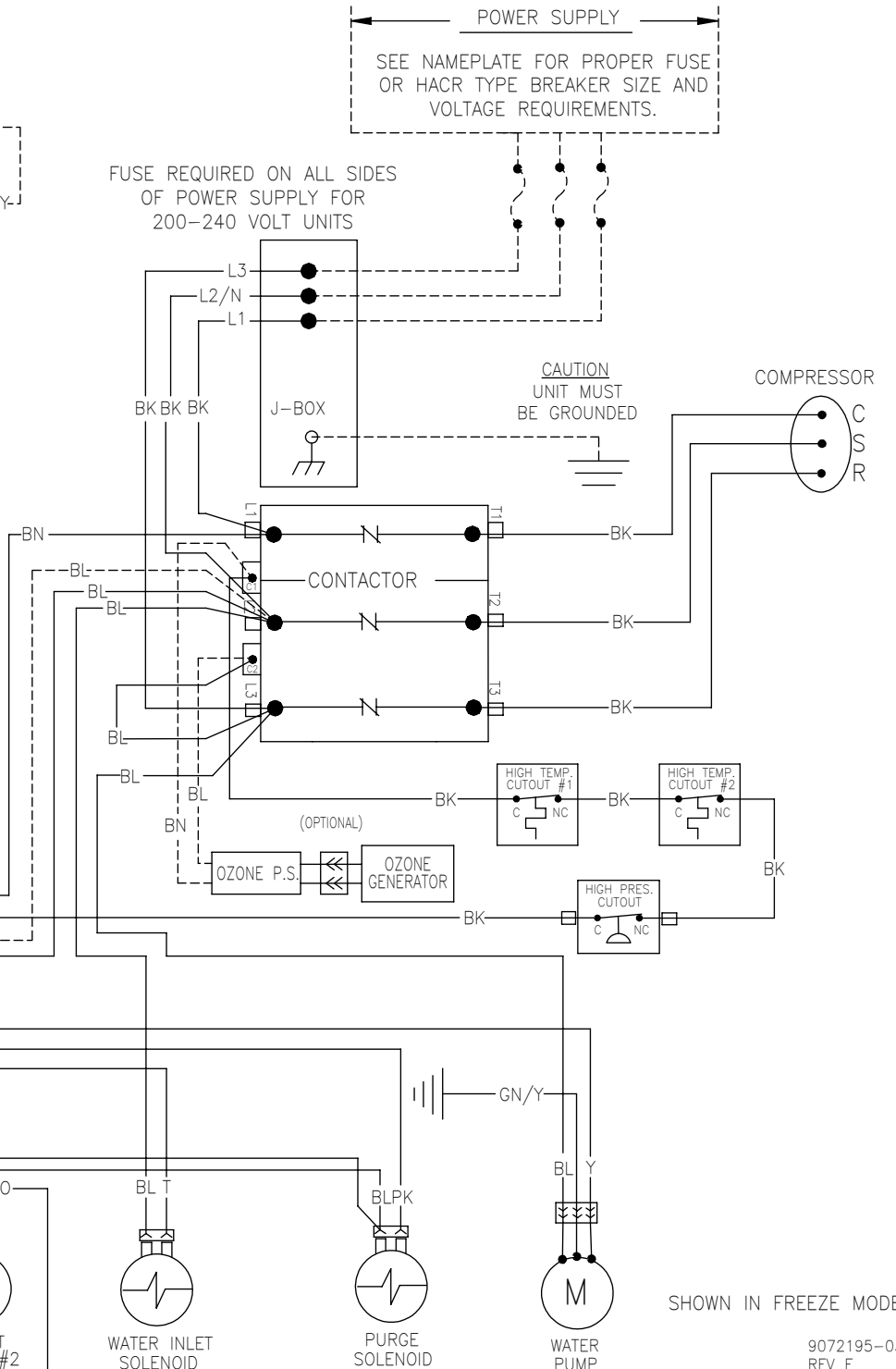
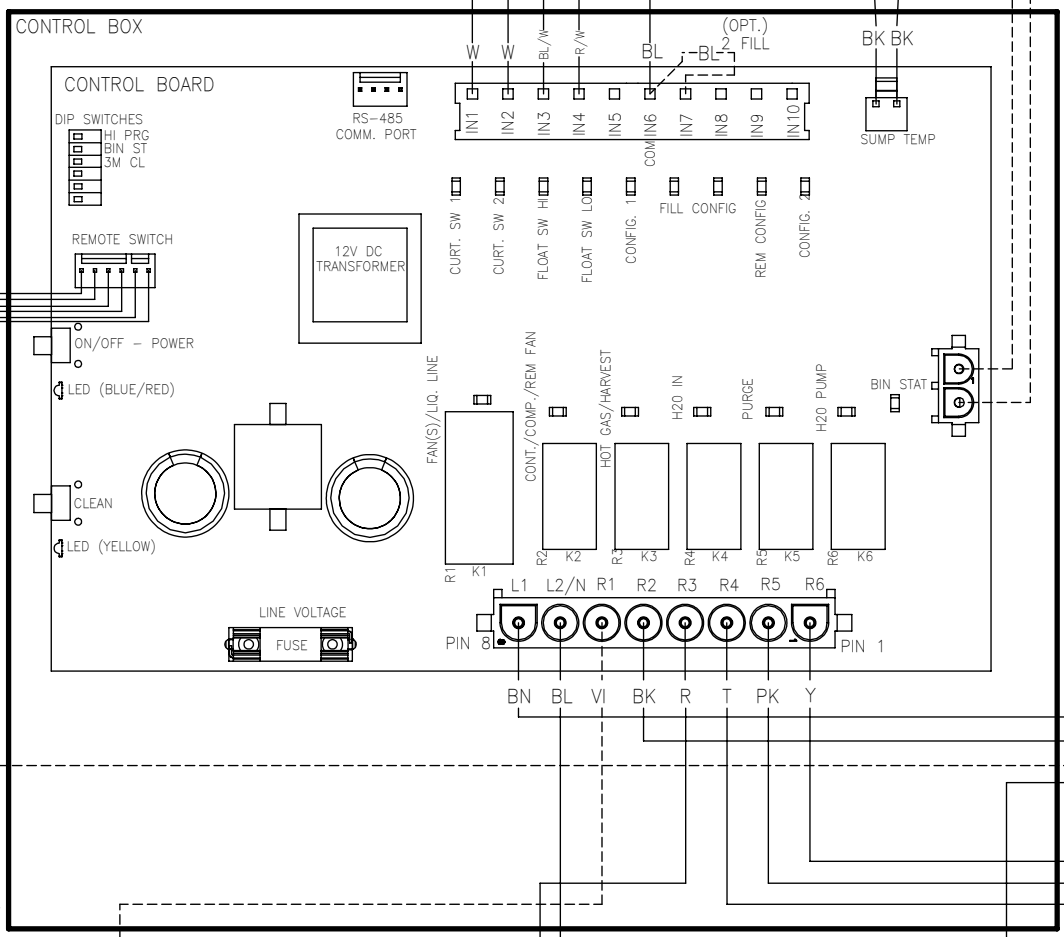


DISCONNECT POWER BEFORE SERVICING
MACHINE OR ELECTRICALS

CAUTION
MORE THAN ONE DISCONNECT SWITCH
MAY BE REQUIRED TO DE-ENERGIZE ALL
POWER TO THE MACHINE



FUSE REQUIRED ON ALL SIDES
OF POWER SUPPLY FOR
200-240 VOLT UNITS



SHOWN IN FREEZE MODE