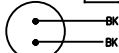


POWER SUPPLY  
SEE NAMEPLATE FOR PROPER  
FUSE OR HACR TYPE BREAKER  
SIZE AND VOLTAGE REQUIREMENTS

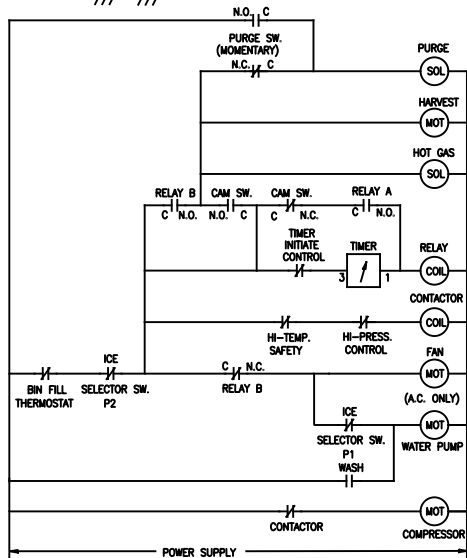
FUSE REQUIRED ONLY ON LINE  
SIDE OF POWER SUPPLY FOR  
100 - 120 VOLT UNITS.

FUSE REQUIRED ON BOTH SIDES  
OF POWER SUPPLY FOR  
200 - 240 VOLT UNITS

CAUTION  
THIS UNIT MUST BE GROUNDING



FAN MOTOR  
(A.C. ONLY)



CONTROLS SHOWN DURING TIMED PORTION OF FREEZE CYCLE