

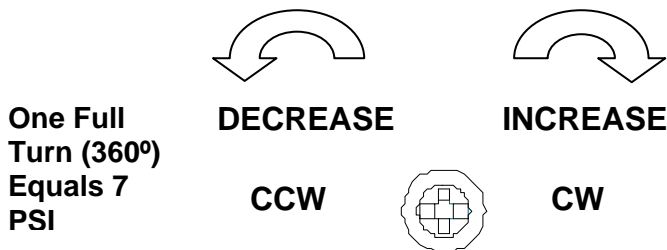
SUBJECT: TIMER INITIATE CONTROL CHANGE

Number: 13-04
Product: Cubers
Date Issued: October 1, 2013
From: Technical Service

Ice-O-Matic has made a modification to the cuber product line. The supplier for the timer initiate control has been changed from Johnson Controls (Service Part No. 9041094-01) to Selco Products Company (Service Part No. 9041104-101). The Johnson Control (Service Part No. 9041094-101) will No Longer be Available. The functionality of this pressure control does not change. The physical dimensions are changed and are explained below.

Both controls have the same mounting hole centers and threading. The remaining dimensions are different and in some installations may not fit in the space allowed. Reference the following for specific applications currently in production and how they can be modified to accept the new controls. For products not shown or if the control does not fit in the space provided, a new mounting location must be found and the associated wires lengthened.

Johnson Part Number	New Ice-O-Matic Service Part No.	Adjusting to Ice-O-Matic Part No.	Pressure Settings	Turning Direction	Revolution Degrees	Approx Turns
9041094-01	9041104-101	9041104-01	35 PSI	-----	0°	0 Turn
	9041104-101	9041104-02	32 PSI	CCW	153°	1/2 Turn
	9041104-101	9041104-03	37 PSI	CW	102°	1/4 Turn
	9041104-101	9041104-04	44 PSI	CW	458°	1-1/4 Turn
	9041104-101	9041104-05	41 PSI	CW	305°	3/4 Turn



NOTE: Do NOT Adjust the Control more than 2 Full Turns in either Direction

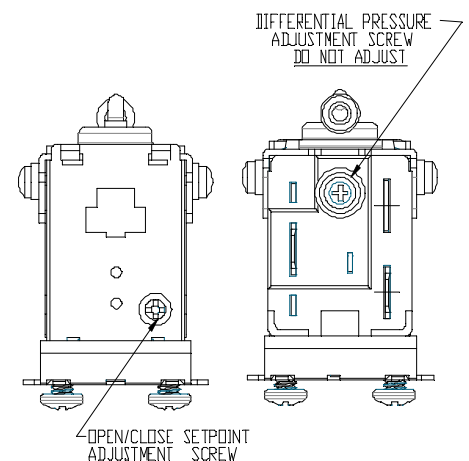
Control Settings: The new control will need to be properly adjusted upon installation.

The Adjustment Screw is potted with Super Glue (Xylene) Product.

Apply 1-2 drops of Xylene solvent around screw and wait 3-5 minutes until glue is loosened.

Xylene solvent will evaporate after 1 hour; Super Glue will then regain its hardness. Additional Super Glue (Xylene) Product may be applied to insure proper repotting.

As part of the installation, system should be ran for a minimum of 3 harvested cycles to verify that this control is functioning properly.



If you have any questions, please contact the Ice-O-Matic Service Department at 1-800-423-3367

Part No. 9081446