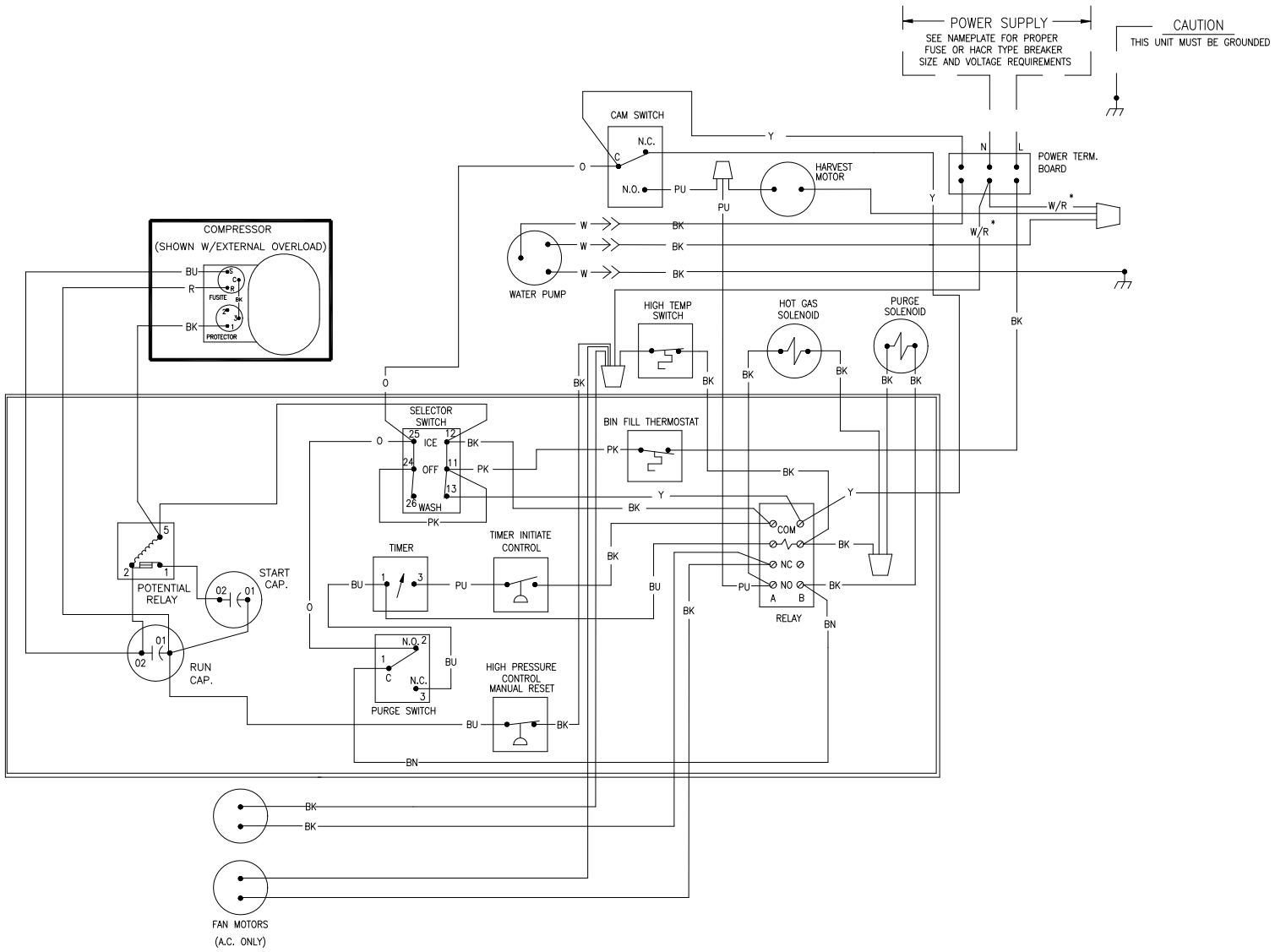
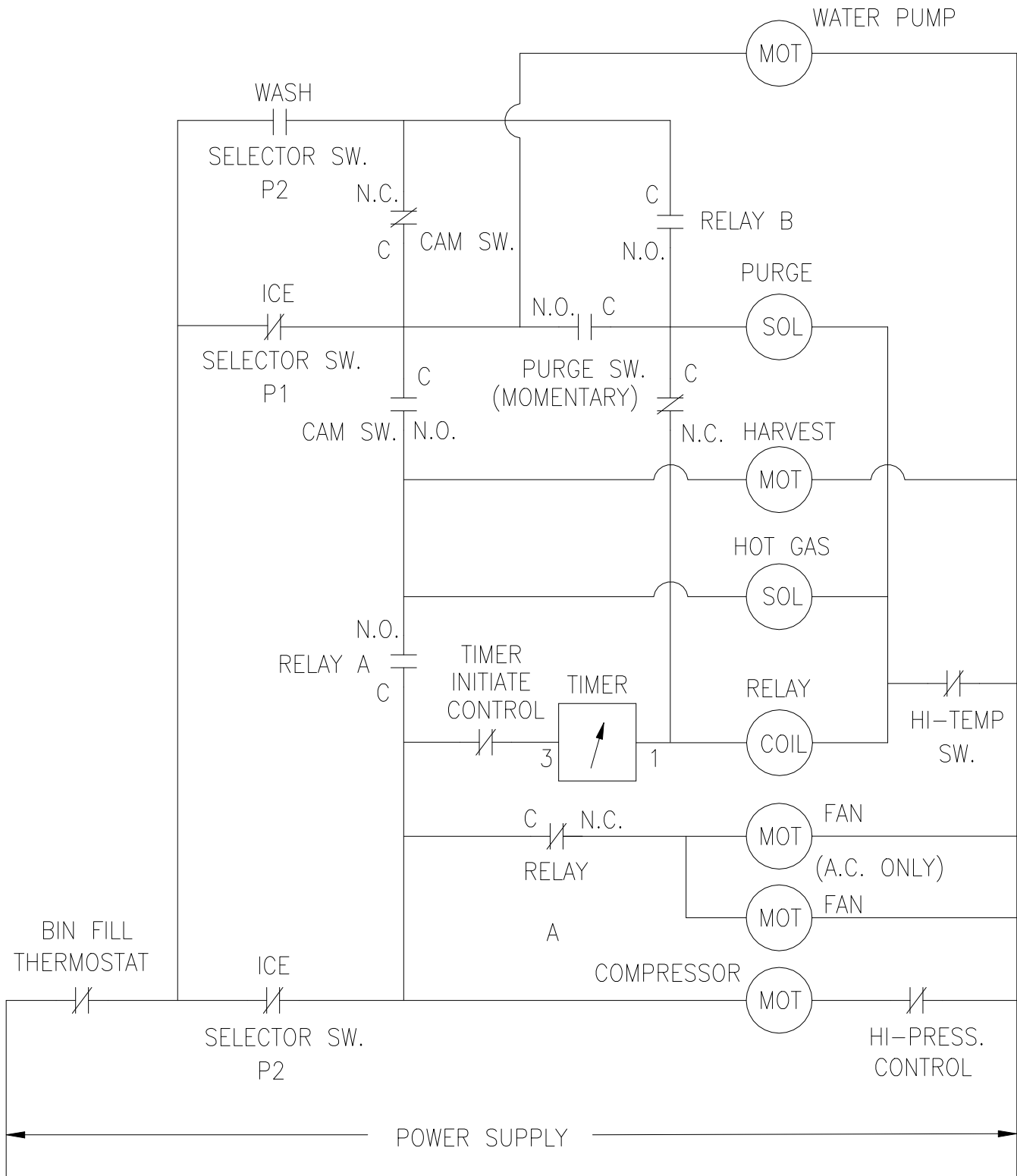


ICEU305 Air and Water



ICEU305 Air and Water



CONTROLS SHOWN DURING TIMED PORTION OF FREEZE CYCLE