

# **Ice-O-Matic**<sup>®</sup>

Ice. Pure and Simple<sup>™</sup>

## **SERVICE PARTS MANUAL ICE ONLY DISPENSERS MODELS-IOD150, IOD200 AND IOD250**



14-1010

Date 6/13/16



# **IOD150, IOD200, IOD250 Dispenser**

This parts list contains the service parts available for the IOD150-200-250 dispensers

Check the model number on the data plate and refer to the correct listing for the specific component.

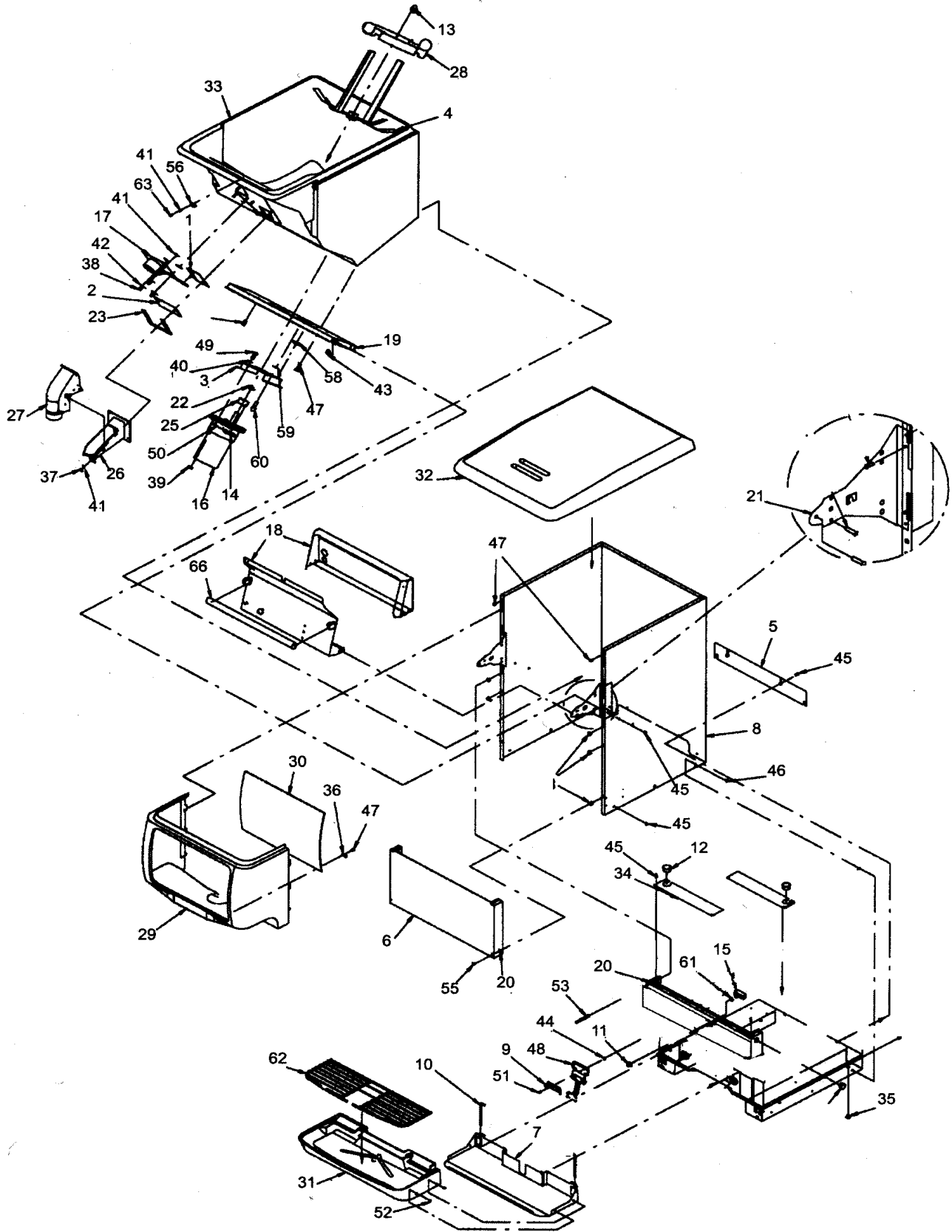
Check carefully that the correct part is identified and ordered.

**Note: Part Numbers in BOLD are not stocked items**

<b>Table of Contents</b>	<b>Page 1</b>
<b>Cabinet and Dispenser Part Numbers, IOD150</b>	<b>Page 2 - 3</b>
<b>Cabinet and Dispenser Part Numbers, IOD200 and IOD250</b>	<b>Page 4 - 5</b>
<b>Rotary Solenoid</b>	<b>Page 6</b>
<b>Electrical Box, IOD150</b>	<b>Page 7</b>
<b>Electrical Box, IOD200 and IOD250</b>	<b>Page 8</b>
<b>Wiring Diagram</b>	<b>Page 9</b>

Ice-O-Matic  
11100 East 45th Ave.  
Denver Co. 80239

# IOD150, IOD200 and IOD250 Service Parts IOD 150 Cabinet and Dispenser



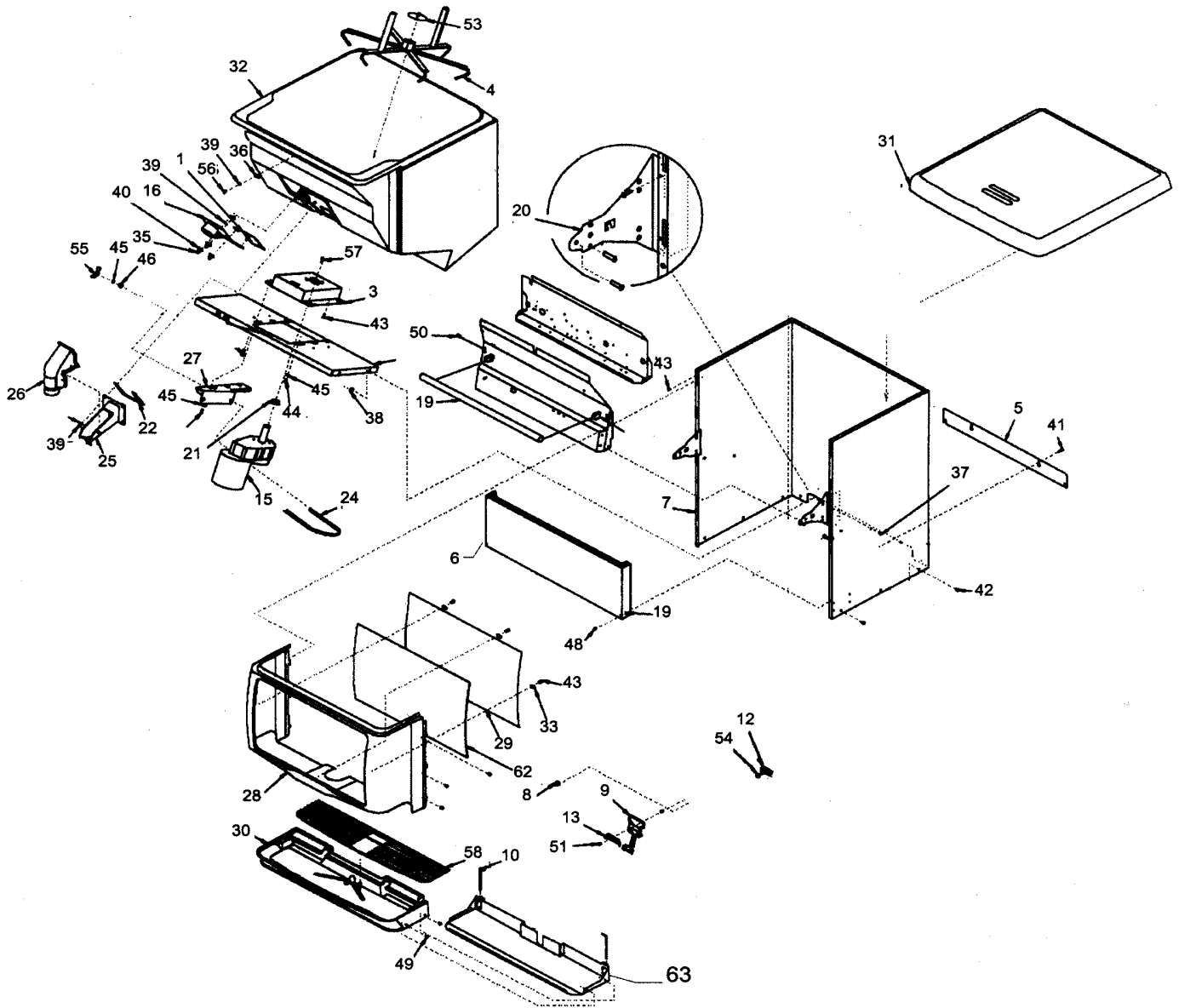
# IOD150, IOD200 and IOD250 Service Parts

## IOD 150 Cabinet and Dispenser

Item			Item		
No.	Part No.	Description	No.	Part No.	Description
1	1011342-12	Gate Slide	34	1011342-07	Baffle
2	1011342-144	Gate Restrictor	35	1011342-62	Plug
3	1011342-145	Plate, Motor Mounting	36	1011342-63	Clip, White
4	1011342-06	Agitator Assy	37	<b>1011342-76</b>	Hex Nut, No. 10-32
5	1011342-18	Cover, Rear Wrapper	38	<b>1011342-77</b>	Hex Nut, No. 10-32, Nyloc
6	1011342-141	Lower Panel (F/Drip Tray)	39	<b>1011342-78</b>	Hex Nut, 1/4-20
7	1011342-05	Extension Assy, Drip Tray	40	<b>1011342-79</b>	Washer, .255 I.D.
8	<b>1011342-17</b>	Wrapper (ED 150)	41	<b>1011342-81</b>	Washer, No. 10, .219 I.D.
9	1011342-13	Retainer, Lever, Ice Dispense	42	<b>1011342-83</b>	Washer, .218 I.D.
10	1011342-02	Pin, Drip Tray Mounting	43	<b>1011342-85</b>	Hex Nut, No. 8-32
11	1011342-29	Boot, Switch	44	<b>1011342-86</b>	Insert, Threaded, No. 8-32
12	1011342-49	Snap Bushing	45	<b>1011342-89</b>	Machine Screw, Phil
13	1011342-03	Retainer, Agitator	46	<b>1011342-90</b>	Machine Screw, Phil
14	1011342-25	Agitator Motor Heater, 120 V	47	<b>9031113-01</b>	Sheet Metal Screw, Phil
15	1011342-26	Dispense Switch	48	1011342-08	Lever, Cup Dispense
16	1011342-133	Agitator Motor, 120 Volt	49	<b>1011342-93</b>	Machine Screw, Phil Rd Hd,
17	1011342-38	Solenoid Assembly, 120 Volt	50	1011342-94	Spring, Motor Heater
18	1011342-128	Electrical Box Ass'y, 120 V	51	<b>1011342-140</b>	Thread Forming Screw, Phil
19	1011342-16	Bracket, Motor Mounting	52	<b>1011342-149</b>	Clip, Push On
20	<b>1011342-103</b>	Washer, Captivating No. 8	53	<b>1011342-95</b>	Machine Screw, Phil
21	1011342-115	Hinge, Gusset	54	1011342-96	Hose Clamp, Worm
22	1011342-53	Seal, Agitator Motor Shaft	*55	<b>1011342-154</b>	Machine Screw, Phil
23	1011342-01	Gasket, Gate	56	<b>1011342-63</b>	Clip, Black
*24	1011342-55	Plug (120 Volt Models Only)	*57	1011342-104	Leg
25	1011342-57	Gasket, Motor Shaft	58	<b>1011342-98</b>	Receptacle, 1/4 Turn
26	1011342-139	Ice Chute	59	<b>1011342-99</b>	Retainer, 1/4 Turn
27	1011342-69	Cover, Ice Chute	60	<b>1011342-155</b>	Stud Wing Head, 1/4 Turn
28	1011342-73	Agitator Disk	61	1011342-97	Spacer, Switch
29	1011342-11	Merchandiser, S.S. (IOD 150)	62	1011342-150	Cup Rest
29	1011342-64	Merchandiser, Black (IOD 150)	63	<b>1011342-111</b>	Shoulder Screw, No. 8-32
30	1011342-58	Panel, Plexiglass, Inner	*64	1011342-51	Adapter, 1" Barb x 3/4 MPT
31	1011342-72	Drip Tray, Black, Insulated	*65	1011342-50	Adapter, 3/4 Soc x 3/4 FPT
32	1011342-68	Lid, Dispenser, Black	66	<b>1011342-35</b>	Bulb, 18" daylight
33	1011342-56	Hopper Assy., Foamed	67	1011342-153	Graphic IOD150 (Not Shown)
			*	1011342-101	Water Filler Handle
			*		Not shown

**Note: Part Numbers in BOLD are not stocked items**

# IOD150, IOD200 and IOD250 Service Parts Cabinet and Dispenser Parts, IOD200 and IOD 250



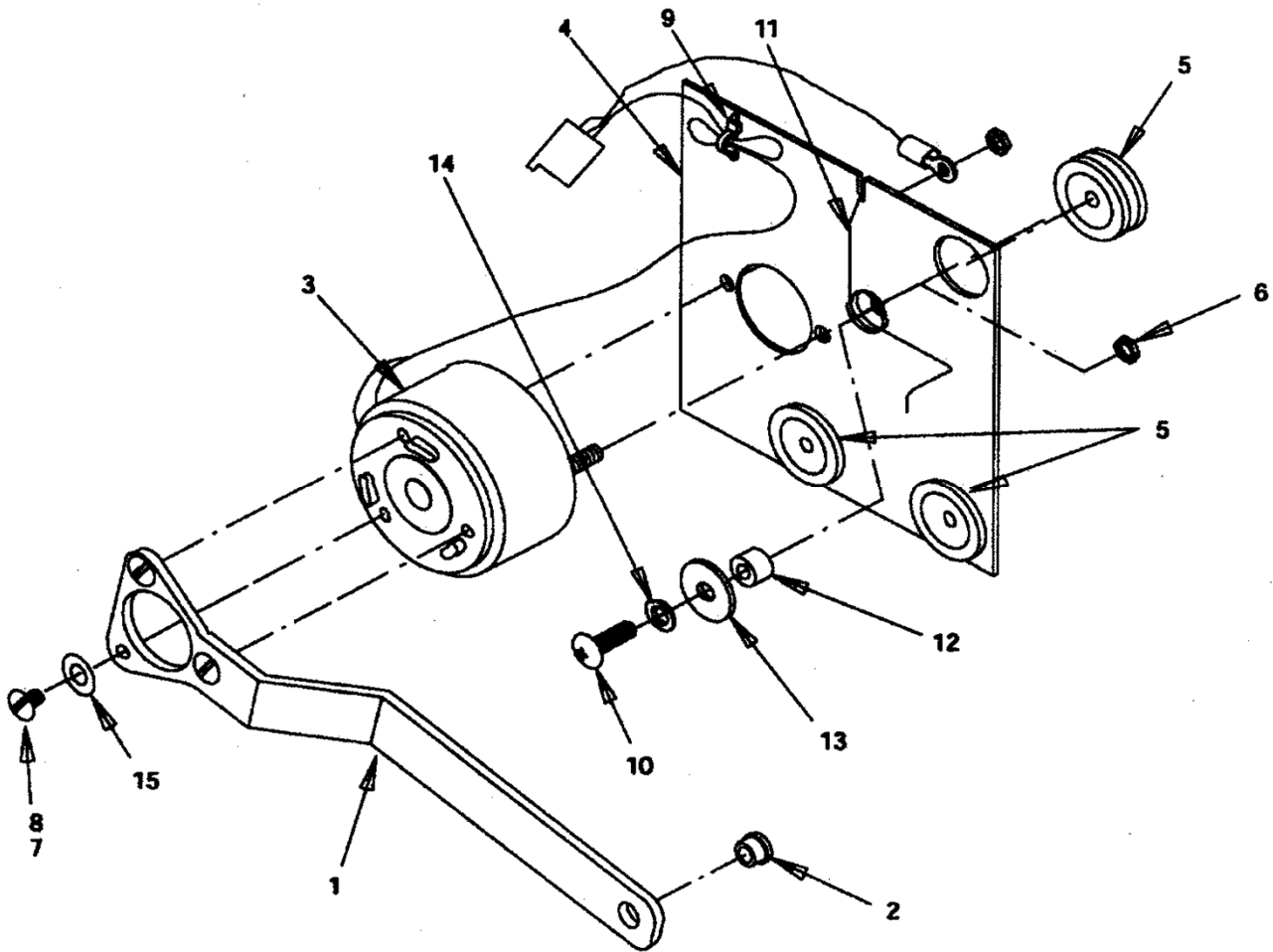
## IOD150, IOD200 and IOD250 Service Parts IOD 200 and IOD250 Cabinet and Dispenser

Item			Item		
No.	Part No.	Description	No.	Part No.	Description
1	1011342-12	Slide, Gate	34	<b>1011342-76</b>	Hex Nut, No. 10-32
*2	1011342-144	Restrictor, Gate	35	<b>1011342-77</b>	Hex Nut, No. 10-32, Nyloc
3	1011342-146	Plate, Motor Mount	36	<b>1011342-63</b>	Tab, Retaining
4	1011342-22	Agitator	37	<b>1011342-92</b>	Screw, No. 10-32 By 3/8-In.
5	1011342-21	Cover, Rear Wrapper	38	<b>1011342-75</b>	Hex Nut, No. 10-32, Keps
6	1011342-142	Panel, Lower Front	39	<b>1011342-143</b>	Washer, No. 10
7	1011342-20	Cabinet	40	<b>1011342-83</b>	Washer,
8	1011342-29	Boot, Switch	41	<b>1011342-89</b>	Screw, No. 8-32 By 3/8-In.
9	1011342-08	Dispense Lever, Short	42	<b>1011342-90</b>	Screw, No. 8-32 By 1/2-In.
10	1011342-02	Pin, Drip Tray	43	<b>1011342-91</b>	Screw, No. 8 By 1/2-In. Long
*11	1011342-25	Agitator Motor Heater 115 V	44	<b>1011342-107</b>	Screw, 3/8-16 By 3/4-In. Long
12	1011342-26	Dispense Switch	45	<b>1011342-84</b>	Washer
13	1011342-13	Retainer, Ice Dispense lever	46	<b>1011342-110</b>	Washer,
14	1011342-33	Bulb, Florescent	47	1011342-94	Spring, Motor Heater
15	1011342-41	Agitator Motor 120 Volt	48	<b>1011342-154</b>	Screw, No. 8-32 By 1 1/8-In.
16	1011342-38	Solenoid Ass'y 120 Volt	49	<b>1011342-149</b>	Clip, Push-on
17	1011342-125	Elec Box Ass'y, 120V IOD 200	50	1011342-116	Reflector Panel-IOD200
	1011342-126	Elec Box Ass'y, 120V IOD 250		1011342-120	Reflector Panel-IOD250
18	<b>1011342-19</b>	Bracket, Motor Mount	51	<b>1011342-140</b>	Sheet Mtl Screw, #10 x 1/2.
19	<b>1011342-103</b>	Washer, Captivating No. 8	*52	1011342-104	Leg
20	<b>1011342-115</b>	Hinge Gusset	53	1011342-03	Retainer, Agitator
21	1011342-70	Seal, Motor	54	1011342-97	Spacer, Switch
22	1011342-01	Gasket, Gate	55	<b>1011342-109</b>	Wing Nut, 3/8-16
*23	1011342-55	Plug	56	<b>1011342-111</b>	Shoulder Screw, No. 8-32
24	1011342-105	Strap, Motor	57	<b>1011342-106</b>	Shoulder Screw, 1/4-20
25	1011342-139	Ice Chute	58	1011342-108	Cup Rest
26	1011342-69	Ice Chute Cover	*59	1011342-51	Adapter, 1-In. Barb By 3/4 MPT (For Drip Tray Drain)
27	1011342-04	Motor Mount			
28	1011342-66	Merchandiser, Black (IOD250)	*60	1011342-50	Adapter, 3/4 Soc By 3/4 FPT (For Drip Tray Drain)
	1011342-65	Merchandiser, Black, (IOD200)			
	1011342-09	Merchandiser, S.S., (IOD250)	*61	1011342-96	Hose Clamp (For Drip Tray Drain)
	1011342-10	Merchandiser, S.S., (IOD200)			
29	1011342-60	Panel, Inner	62	1011342-151	Graphic, IOD200
30	1011342-71	Drip Tray, Black, Insulated		1011342-152	Graphic, IOD250
31	1011342-67	Lid, Dispenser, Black	63	1011342-122	Drip tray extension
32	1011342-61	Hopper Ass'y, Insul (ID250)	*	1011342-100	Faucet Blank Panel
	1011342-59	Hopper Ass'y, Insul (ID200)	*	1011342-101	Water Filler Handle
33	1011342-63	Tab, Retaining	*		Not shown

**Note: Part Numbers in BOLD are not stocked items**

# IOD150, IOD200 and IOD250 Service Parts

## Rotary Solenoid



### Item

No	Part Number	Description
1	1011342-15	Arm, Gate Lift
2	1011342-48	Bearing, Gate Arm
3	<b>1011342-39</b>	<b>Solenoid, 120 Volts NLA</b>
4	1011342-14	Plate, Solenoid Mounting
5	1011342-47	Isolator
6	<b>1011342-75</b>	Hex Nut, No. 10-32
7	<b>N/A</b>	<b>Locktite</b>
8	<b>1011342-87</b>	Screw, No. 8-32 By 1/4-In. Long
9	<b>1011342-46</b>	Tie Cable
10	<b>1011342-88</b>	Screw, No. 8-32 By 5/8-In. Long
11	1011342-102	Spring, Solenoid Arm
12	1011342-52	Spacer
13	<b>1011342-83</b>	Washer, .218 I.D. By .875 O.D.
14	<b>1011342-82</b>	Lockwasher, No. 10
15	<b>1011342-80</b>	Flatwasher, No. 8

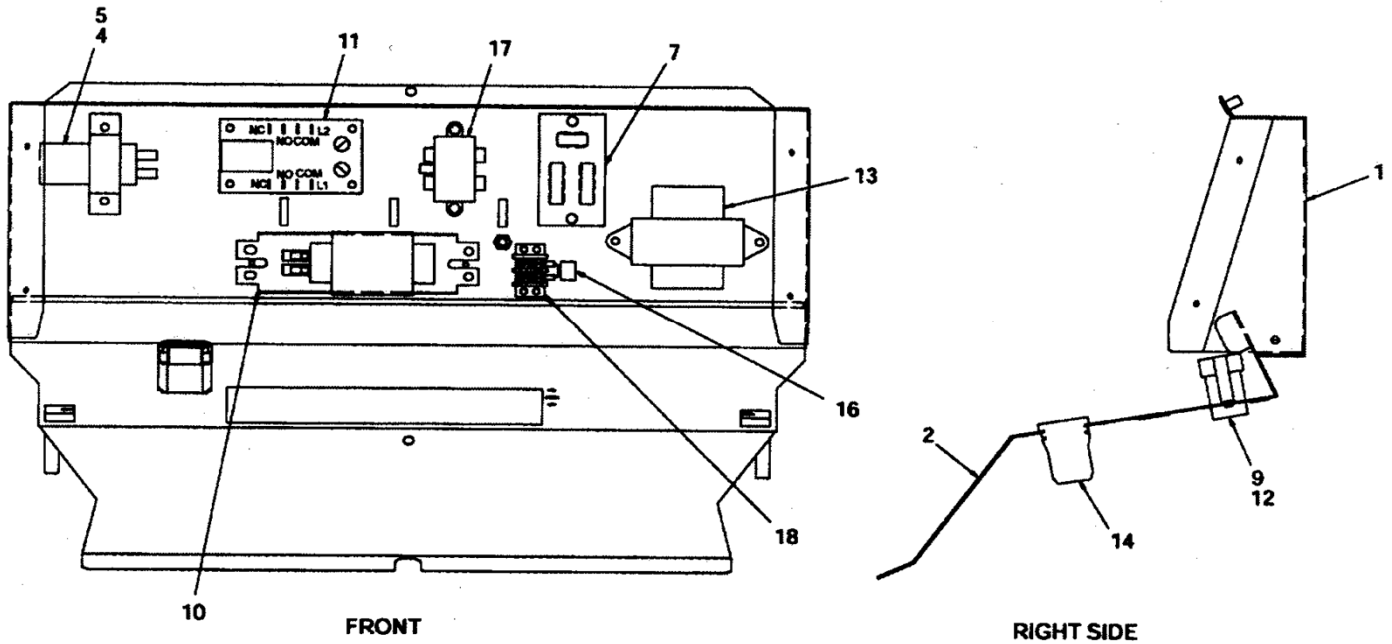
Order 1011342-38 Assembly (page 4-5)

Note: Part Numbers in BOLD are not stocked items



# IOD150, IOD200 and IOD250 Service Parts

## Electrical Box IOD150



### Item

No	Part number	Description
1	1011342-113	Electrical Box (IOD 150)
2	1011342-114	Reflector, Panel (IOD 150)
3	N/A	N/A
4	<b>1011342-23</b>	Clamp, Capacitor, 120 Volts
5	1011342-24	Capacitor, 120 Volt
6	<b>N/A</b>	<b>N/A</b>
7	1011342-30	Terminal Board
8	<b>N/A</b>	<b>N/A</b>
9	1011342-31	Starter
10	1011342-32	Ballast, 120 Volt
11	1011342-138	Timer, Agitation, 120 Volt
12	1011342-124	Socket, Starter
13	<b>1011342-36</b>	<b>Transformer, 120 Volts No Longer Available (Not Used)</b>
14	1011342-123	Lampholder

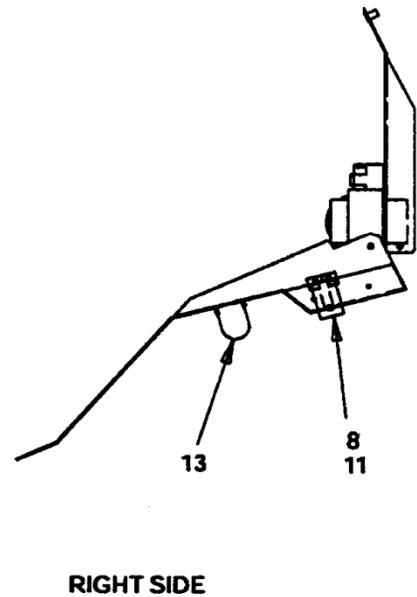
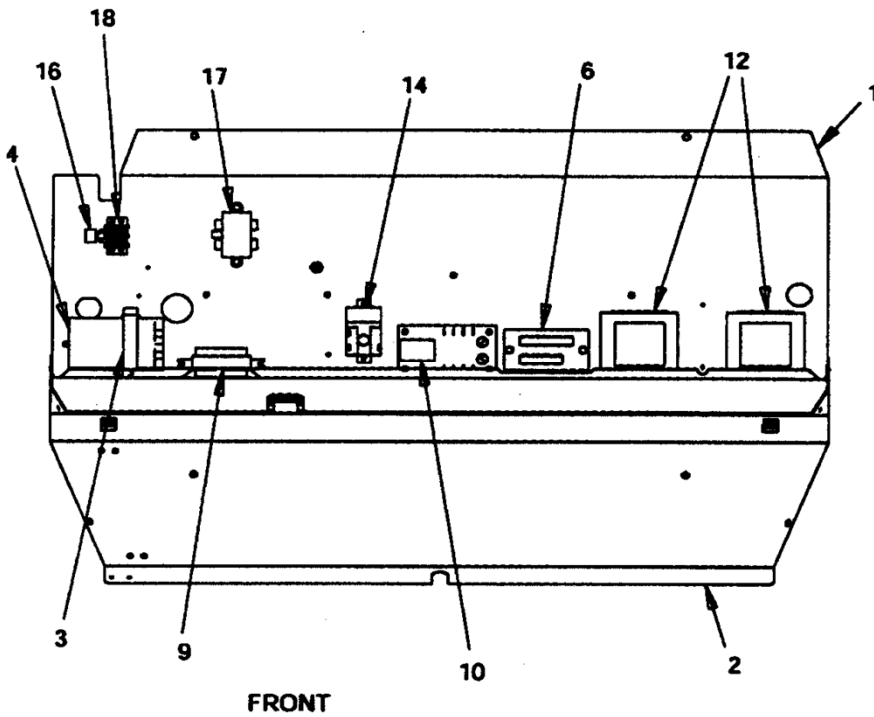
### Not Shown:

1011342-40 Relay, Start, 120 Volts

**Note: Part Numbers in BOLD are not stocked items**

# IOD150, IOD200 and IOD250 Service Parts

## Electrical Box IOD200 and IOD250



Item No	Part number	Description
1	1011342-119	Electrical Box (IOD250)
	1011342-117	Electrical Box (IOD200)
2	1011342-120	Reflector Panel (IOD250)
	1011342-116	Reflector Panel (IOD200)
3	<b>1011342-118</b>	Clamp, Capacitor
4	1011342-148	Capacitor, Agitator Motor
5	1011342-28	Power Cord, 120 Volts
6	1011342-27	Terminal Board, 120 Volts
7	<b>N/A</b>	<b>Not Used</b>
8	1011342-31	Starter
9	1011342-32	Ballast, 120 Volts
10	1011342-138	Agitation Timer, 120 Volts

Item No	Part number	Description
11	1011342-124	Socket, Starter
12	1011342-36	Transformer, 120 Volts
13	1011342-123	Lampholder
14	1011342-40	Relay, Start, 120 Volts
15	<b>N/A</b>	<b>Not Used</b>
16	<b>N/A</b>	<b>Not Used</b>
17	<b>N/A</b>	<b>Not Used</b>
18	<b>N/A</b>	<b>Not Used</b>

**Note: Part Numbers in BOLD are not stocked items**

# IOD150, IOD200 and IOD250 Service Parts Schematic Diagram

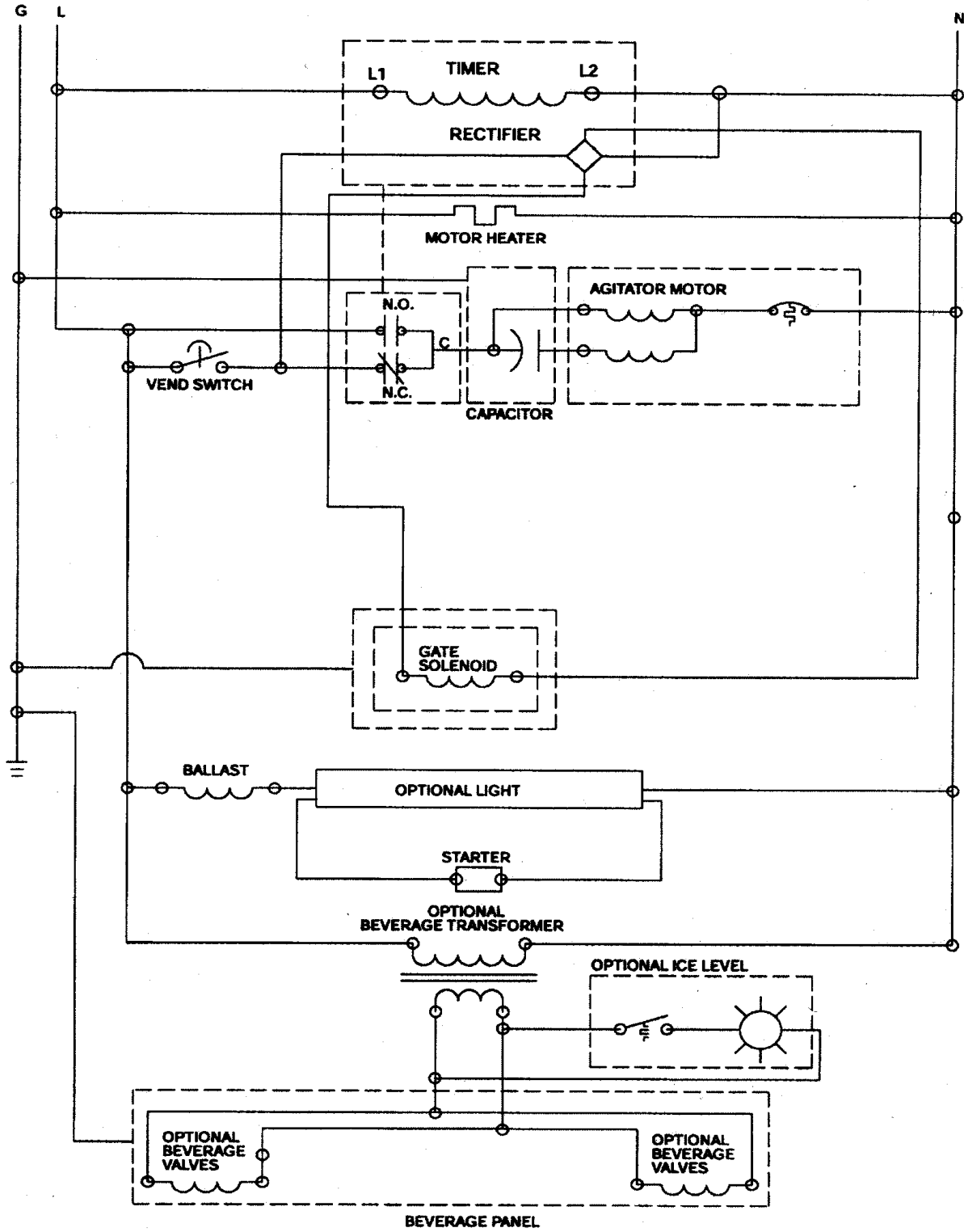


FIGURE 8. WIRING SCHEMATIC (120 V UNIT)