

* Remote condenser shown with optional guard

Features

- Lightweight construction and an aluminum coil help reduce weight by nearly 20% compared to previous models.
- Condenser fits through a standard 30" x 36" roof hatch for ease of installation.
- Easy assembly and installation with innovative legs.
- More efficient motor reduces energy usage by 25% - 50%.
- Environmentally responsible – all remote condensers use R404A, an approved non-ozone depleting refrigerant.
- Constructed from sturdy, corrosion-resistant galvanized steel.
- Reduces air conditioning requirements and cost.
- Fan is located outside, ensuring quiet operation for customers.

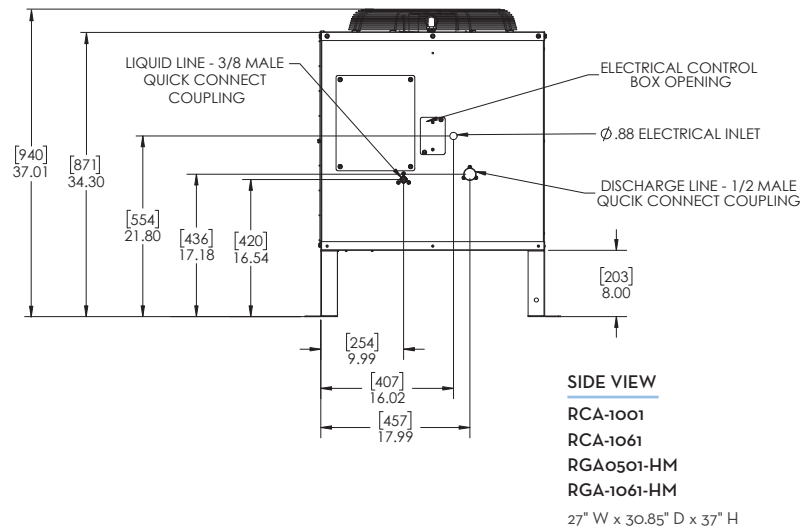
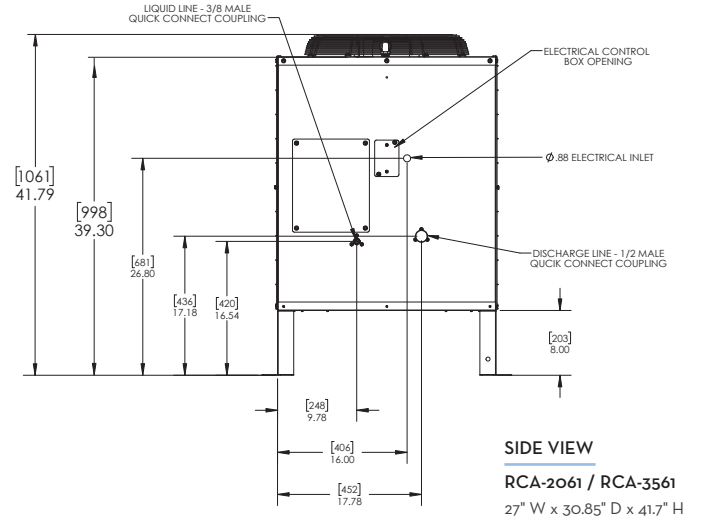
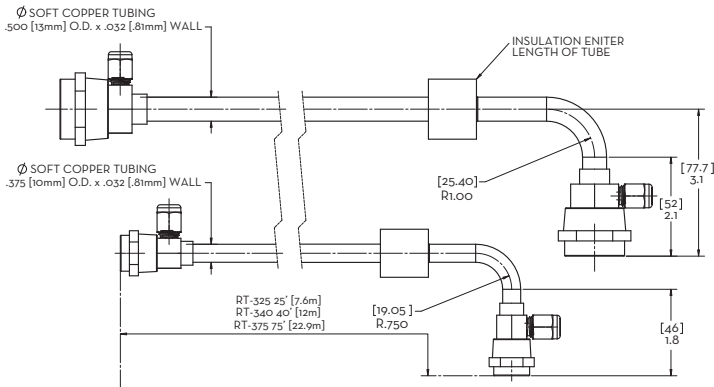
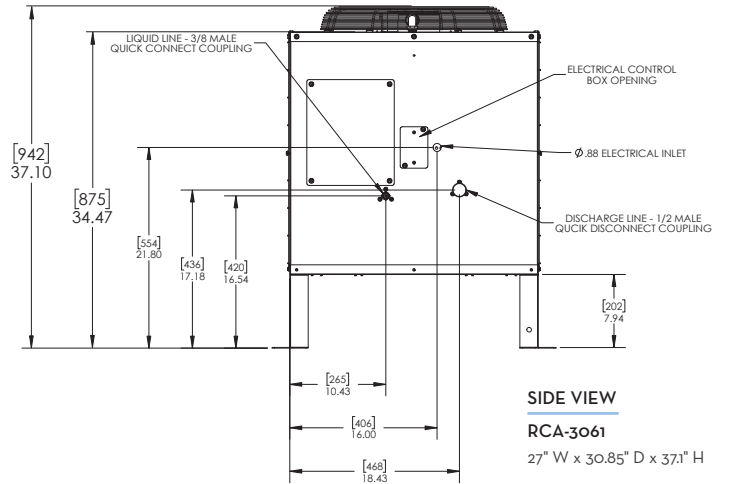
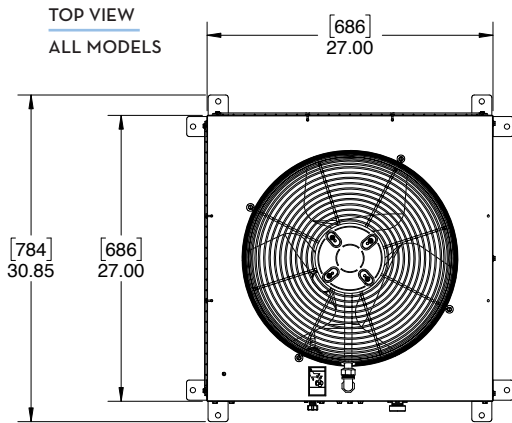
Required Accessories

Model Number	Description	Shipping Weight lbs (kg)
D>& &Z& ! DFZ&S' Z& & S' X/) & _ fiBdMZSdWVfgT] Y= [f X&dD& &8 ? aW&e		#%/ (fi
D>& &Z& ! DFZ&S' Z& & & X/#S&Z _ fiBdMZSdWVfgT] Y= [f X&dD& &8 ? aW&e		#* / *fi
D>& &Z& ! DFZ&S' Z& &)' X/SS& _ fiBdMZSdWVfgT] Y= [f X&dD& &8 ? aW&e		% / # (fi
9D;>>#"	Abf[a` S`9d^9gSdV= [f X&dD53Z&# " # D53Z&# (# D93 " " #Z ? S` VD93# (#Z ?	* / % fi
9D;>>S"	Abf[a` S`9d^9gSdV= [f X&dD53Z&S (# S` VD53Z& (#	#S/ & fi
9D;>>%"	Abf[a` S`9d^9gSdV= [f X&dD53Z& (#	# / & fi

Specifications

Model Number	Description	Voltage Characteristics	Fan Watts	Shipping Weight lbs (kg)	*Circuit Breaker	
RCA1001	Remote Condenser for model CIM0530R	115/60/1	93	97 (44)	15 amps	
RCA1061	Remote Condenser for model CIM0636R					
RCA2061	Remote Condenser for models CIM0825R, CIM0826R, CIM0835R, CIM0836R, CIM1125R, CIM1126R, CIM1135R, CIM1136R, CIM1137R, GEM2006R, MFI2306R	208-230/50-60/1		111 (50)	20 amps	
RCA3061	Remote Condenser for models CIM1446R, CIM1545R, CIM1845R, ICE1506R			119 (54)		
RCA3561	Remote Condenser for models CIM2046R			115 (52)		15 amps
RGA0501-HM	Remote Condenser for models GEM0650R, MFI0800R	115/60/1			97 (44)	20 amps
RGA1061-HM	Remote Condenser for models GEM0956R, GEM1306R, MFI1506R, MFI1256R	208-230/50-60/1				

* If on separate circuit from ice machine head.



NOTES:
Number of Wires: 3 (including ground)
Refrigerant Type: R404A