



UCGO65A

## Features

- Produces clear, long-lasting gourmet cubes.
- Space-saving 387 mm wide under-counter design.
- Produces up to 28 kg of ice per day.
- Constructed from sturdy, corrosion-resistant stainless steel and fingerprint-proof plastic.
- Ideal for any under-counter or bar application.
- Contemporary, elegant design.
- Environmentally friendly R134A refrigerant.
- Easily adjust the thickness of your ice from the front of the machine!

## Space-Saving Solutions

- Front air discharge design for compact spaces.
- Low profile top saves counter space.
- Stores up to 8 kg of ice.
- Easy front access to ice.
- Removable Air Filter.

## Options & Accessories

WATER FILTERS			
Ice Machine Model	Manifold		Inline
	System	Replacement	System
UCGO65	IFQ1-S	IOMQ-S	IF14C / IF18C

## Ice Maker Warranty

Every Ice-O-Matic ice maker is backed by a warranty that provides both parts and labor coverage.

- Two years Parts and Labour

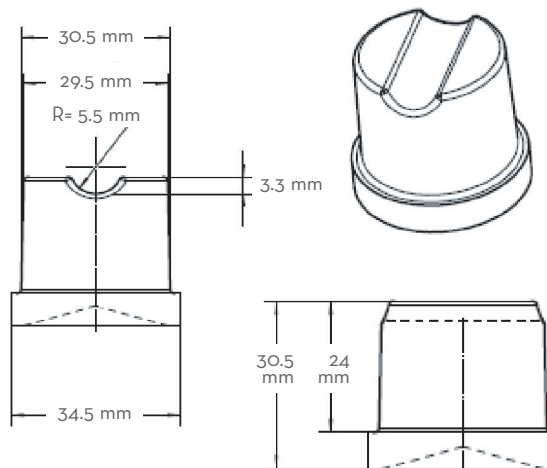
## Ice Form



GOURMET ICE

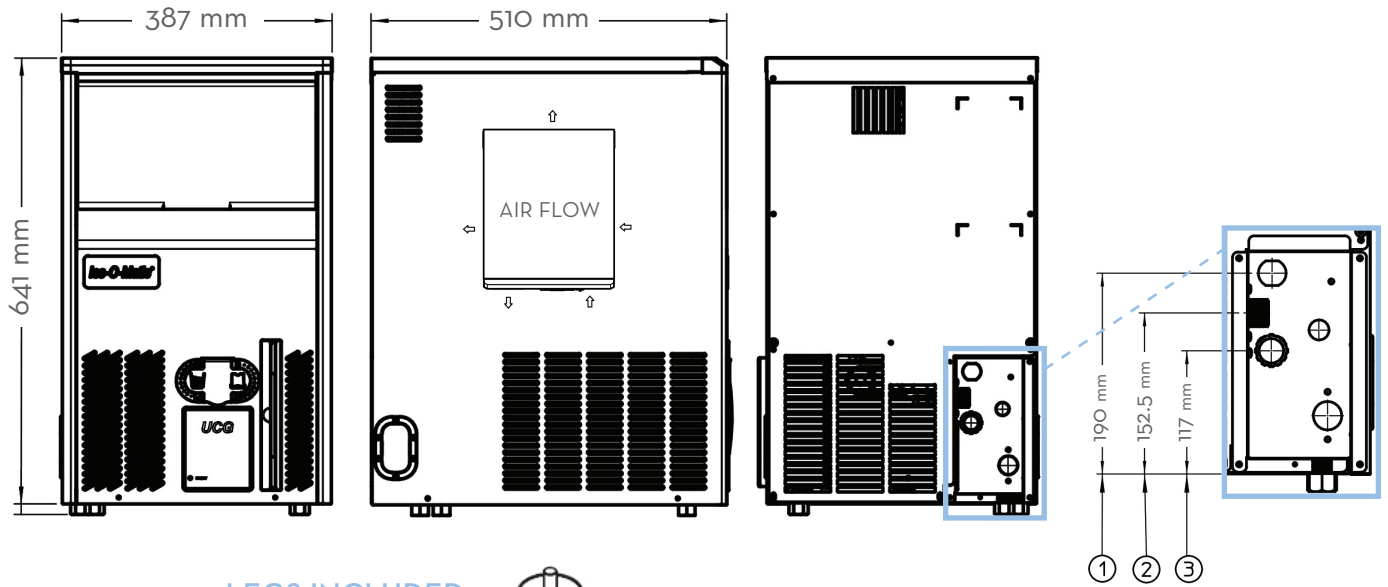
### GOURMET ICE DIMENSIONS

Height	30.5 mm (1.2 in.)
Diameter	34.25 mm (1.35 in.)





UCGO65A GOURMET SERIES UNDERCOUNTER



**LEGS INCLUDED**  
Do Not Extend - 15 mm



- 1 - Power Cord
- 2 - 19 mm Water Inlet
- 3 - 20 mm Water Drain

## Operating Requirements

	MINIMUM	MAXIMUM
	<b>50 Hz</b>	
Ambient Temp. Range Air	10°C (50°F)	43°C (109°F)
Water Temp.	5°C (41°F)	38°C (100°F)
Water Pressure	1 BAR (14 PSI)	5 BAR (70 PSI)
Electrical Voltage	230V/50Hz/1ph	

## Dimensions

ALL MODELS	
W x D x H (mm)	387 x 510 x 641
W x D x H (in.)	15½ x 20¼ x 25¼

\* Dimensions do not account for the included adjustable legs.

## Specifications

Model Number	Cond. Unit	Ice Production per 24hrs			Storage Capacity (kg)	Water Consumption (ltr/hr)	kWH Used per 45 kg of Ice @ 32°C air/ 21°C water	Voltage Characteristics
		10°C air/10°C water (kg)	21°C air/10°C water (kg)	32°C air/21°C water (kg)				
UCGO65A	Air	28	27	21.5	8	4	17.8	230/50/1

NOTES:  
 Approx. Shipping Weight (kg): UCGO65A (37)  
 Refrigerant Type: R134A

All specifications and performance data are subject to normal manufacturing variances.

Ice-O-Matic reserves the right to change the specifications at any time without obligation. Certifications may vary depending on country of origin.